

Part number

# CHV 48 L



## Brief description:

hoods for single lever, size "104.62", top entry, Pg36, metal version, IP66

### Product description

Version	metal version
Series	hoods for single lever
Product type	with 2 pegs
Variant	top entry
Family	CLASS enclosures
Size	size "104.62"

### Technical data

Material	metal
IP degree of protection	IP66 (and IP69K DIN 40050 - 9)
Cable entry	Pg36

### Further technical details

Weight	605,00 g
--------	----------

### Approvals / Standards

Quality mark	 (type:4/4X/12),  , EAC
Conformity	CQC, CE

### General ordering information

EAN13 code	8015747025188
Tariff number	85369095

### Packaging Information

Packaging length	190,00 mm
Packaging height	140,00 mm
Packaging width	290,00 mm
Packaging weight	2,70 kg
Packaging volume	7,71 dm <sup>3</sup>
Packaging description	Carton box
Packaging quantity	4 Pcs
Packaging EAN code	8015747025195
Sub-packaging weight	0,68 kg
Sub-packaging description	Plastic pakaging
Sub-packaging quantity	1 Pcs
Sub-packaging EAN barcode	8015747025201

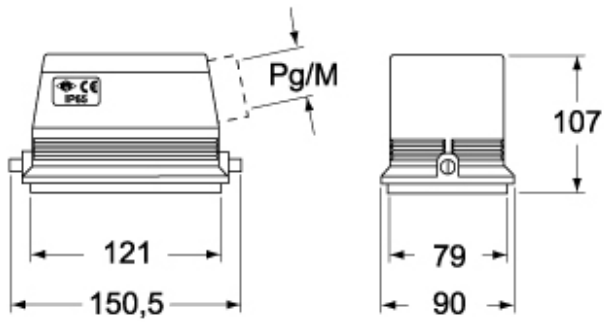
Part number

# CHV 48 L



Catalogue drawings

**CHO L - MHO L - MFO L**



**CHV L - MHV L - MFV L**

